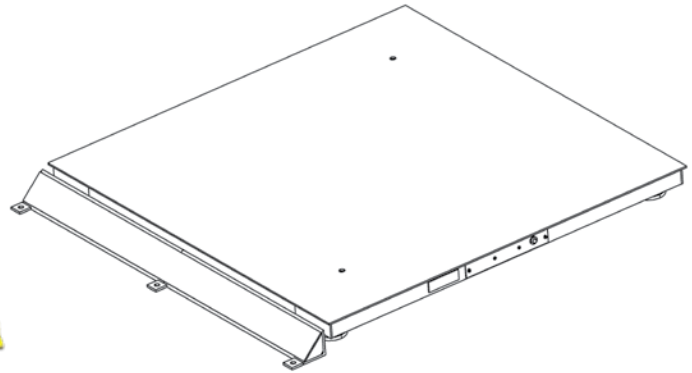


Bumper Guards

Option A



Anchor bolt size required:

1/2 in dia (Not included)

Construction:

RoughDeck® HP and HP-H versions
(Mild steel, painted safety yellow)

RoughDeck SS/HE (304 stainless steel)

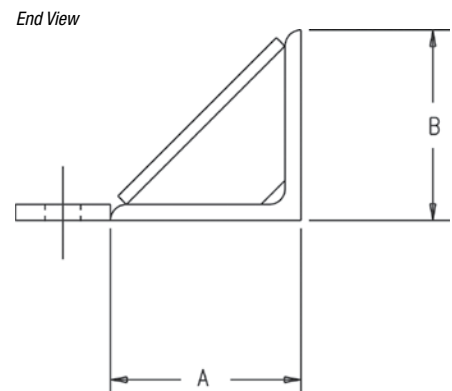
Part Number/Price

Length	RoughDeck HP	Price Each	RoughDeck SS/HE	Price Each	RoughDeck HP-H	Price Each
2.5 ft	86815	Consult	86824	Consult	86833	Consult
3.0 ft	86816	Consult	86825	Consult	86834	Consult
4.0 ft	86817	Consult	86826	Consult	86835	Consult
5.0 ft	86818	Consult	86827	\$425.00	86836	Consult
6.0 ft	86819	Consult	86828	Consult	86837	Consult
7.0 ft	86820	Consult	86829	Consult	86838	Consult
8.0 ft	86821	Consult	86830	Consult	86839	Consult
9.0 ft	86822	Consult	86831	Consult	86840	Consult
10.0 ft	86823	Consult	86832	Consult	86841	Consult

Accessories

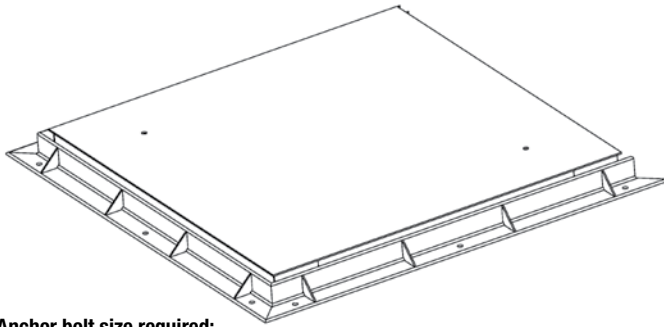
Part #	Description	Price
18777	Floor anchor plates, mild steel (set of two), RoughDeck HP	Consult
18778	Floor anchor plates, stainless steel (set of two), RoughDeck SS/HE	Consult
40387	Floor anchor plates, mild steel (set of two), RoughDeck HP-H 20,000 lb	Consult
40388	Floor anchor plates, mild steel (set of two), RoughDeck HP-H 30,000 lb	Consult

Drawing Dimensions		
Model	A	B
RoughDeck HP	3 in	3 in
RoughDeck SS/HE	3 in	3 in
RoughDeck HP-H	4 in	4 in



Bumper Guards

Option B



Anchor bolt size required:

1/2 in dia (Not Included)

Construction:

- RoughDeck® HP and HP-H versions
(Mild steel, painted safety yellow)
- RoughDeck SS/HE (304 stainless steel)

Note: If you plan to surround scale on all four sides with bumper guards, option B, please contact factory as a special bumper guard must be made to accommodate the home run cable exit.

Part Number/Price

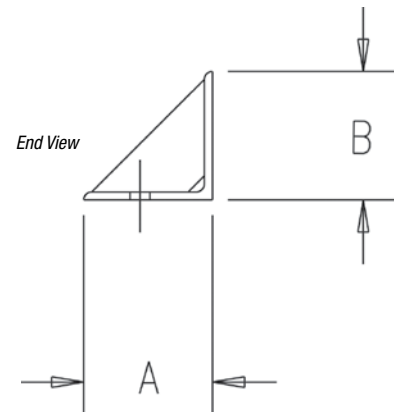
Length	RoughDeck HP	Price Each	RoughDeck SS/HE	Price Each	RoughDeck HP-H	Price Each
2.5 ft	86843	Consult	86852	Consult	86861	Consult
3.0 ft	86844	Consult	86853	Consult	86862	Consult
4.0 ft	86845	Consult	86854	Consult	86863	Consult
5.0 ft	86846	Consult	86855	Consult	86864	Consult
6.0 ft	86847	Consult	86856	Consult	86865	Consult
7.0 ft	86848	Consult	86857	Consult	86866	Consult
8.0 ft	86849	Consult	86858	Consult	86867	Consult
9.0 ft	86850	Consult	86859	Consult	86868	Consult
10.0 ft	86851	Consult	86860	Consult	86869	Consult

Accessories

Part #	Description	Price
18777	Floor anchor plates, mild steel (set of two), RoughDeck HP	Consult
18778	Floor anchor plates, stainless steel (set of two), RoughDeck SS/HE	Consult
40387	Floor anchor plates, mild steel (set of two), RoughDeck HP-H 20,000 lb	Consult
40388	Floor anchor plates, mild steel (set of two), RoughDeck HP-H 30,000 lb	Consult

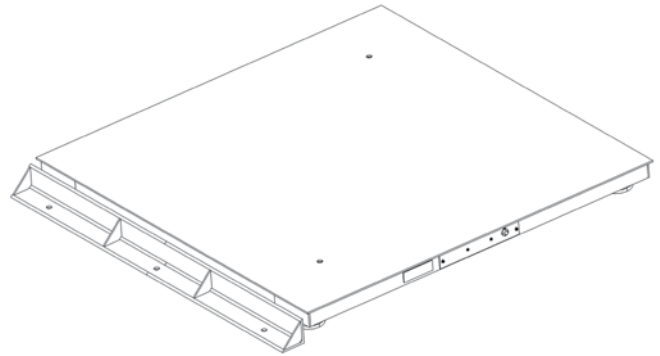
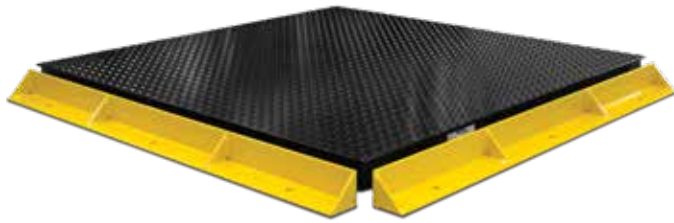
Drawing Dimensions

Model	A	B
RoughDeck HP	3 in	3 in
RoughDeck SS/HE	3 in	3 in
RoughDeck HP-H	4 in	4 in



Bumper Guards

Option C



Anchor bolt size required:
1/2 in dia (not included)

Construction:
RoughDeck® HP and HP-H versions
(Mild steel, painted safety yellow)
RoughDeck SS/HE
(304 stainless steel)

Part Number/Price

Length	RoughDeck HP	Price Each	RoughDeck SS/HE	Price Each	RoughDeck HP-H	Price Each
2.5 ft	86870	Consult	86879	Consult	86888	Consult
3.0 ft	86871	Consult	86880	Consult	86889	Consult
4.0 ft	86872	Consult	86881	Consult	86890	Consult
5.0 ft	86873	Consult	86882	Consult	86891	Consult
6.0 ft	86874	Consult	86883	Consult	86892	Consult
7.0 ft	86875	Consult	86884	Consult	86893	Consult
8.0 ft	86876	Consult	86885	Consult	86894	Consult
9.0 ft	86877	Consult	86886	Consult	86895	Consult
10.0 ft	86878	Consult	86887	Consult	86896	Consult

Accessories

Part #	Description	Price
18777	Floor anchor plates, mild steel (set of two), RoughDeck HP	Consult
18778	Floor anchor plates, stainless steel (set of two), RoughDeck SS/HE	Consult
40387	Floor anchor plates, mild steel (set of two), RoughDeck HP-H 20,000 lb	Consult
40388	Floor anchor plates, mild steel (set of two), RoughDeck HP-H 30,000 lb	Consult

Drawing Dimensions		
Model	A	B
RoughDeck HP	3 in	3 in
RoughDeck SS/HE	3 in	3 in
RoughDeck HP-H	4 in	4 in

End View

