

Standard Features

- Heavy-gauge steel with a durable powder coat finish
- Steering wheels and double loading polyurethane rollers
- Four stainless steel IP68 load cells
- Weight indicator in IP65 stainless steel water-resistant enclosure
- Large 1 inch (25mm) LCD display high contrast digits and waterproof membrane keyboard with 17 functional keys
- Configuration, calibration and diagnostics from keyboard
- Rechargeable battery mounted on the pallet jack
- Battery life is 80 hours of continuous use or one month of non-continuous use
- Zero and tare functions
- Net/Gross and lb/kg conversion
- Accumulation
- Formulation
- +/- Checkweighing
- Percentage weighing
- Counting (Max. resolution of 1,500,000 divisions)
- Peak hold
- Includes a 115VAC 50/60 Hz battery charger

Specifications

Forks Dimensions:

48.75 in x 26.75 in x 3.125 in
(1240mm x 680mm x 80mm)

Weight:

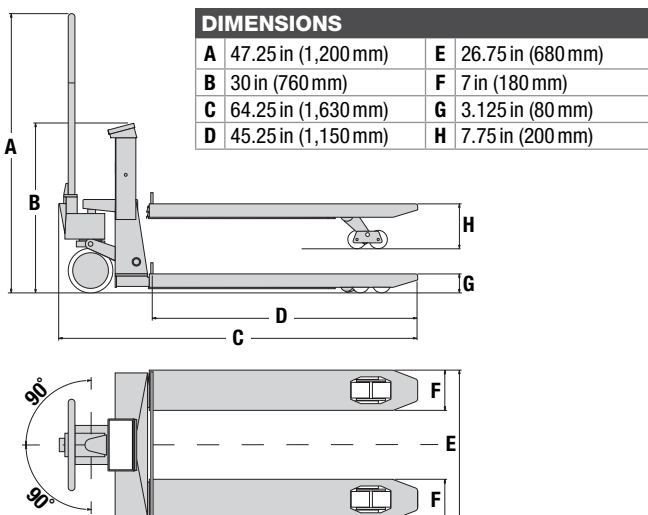
Approx. 295 lb (134kg)

Capacity:

Maximum lifting capacity 5,000 lb

Accuracy:

± 0.1% of the maximum capacity



RL-HPJ

Hand Pallet Jack Scale

Weigh and transport pallets in one streamlined process with Rice Lake's hand pallet jack scales. Easy to use, the RL-HPJ offers maximum precision for tracking shipping and receiving weights. Battery power keeps the weighing and transport process moving, while the integrated digital indicator provides a clear weight readout in any lighting condition. With a Rice Lake pallet jack scale, material handling is faster and more efficient for your warehouse.

RL-HPJ

Hand Pallet Jack Scale

RICE LAKE
WEIGHING SYSTEMS



CAPACITY: 5,000 lb
DIVISION: 1 lb