



# Portable Electronic AXLE LOAD SCALES

**Models 760PS and 760PA**

**The performance you need,  
where you need it,  
and when you need it!**

- **High Strength**
- **Two Modules**
- **Low Profile**



**Cardinal's 190A Axle Weigher Indicator**

*Cardinal Scale's completely portable, two-module axle load scale is relatively lightweight for a truck scale (only 400 lbs per aluminum platform), but can handle the real heavyweights (60,000 lb capacity).*

*Each 760 series scale comes complete with either steel or aluminum platforms, NEMA 4 junction box, environmentally-protected load cells, and four access ramps.*

# Portable Electronic AXLE LOAD SCALES

**Models 760PS and 760PA**

Your choice of aluminum or steel platforms.



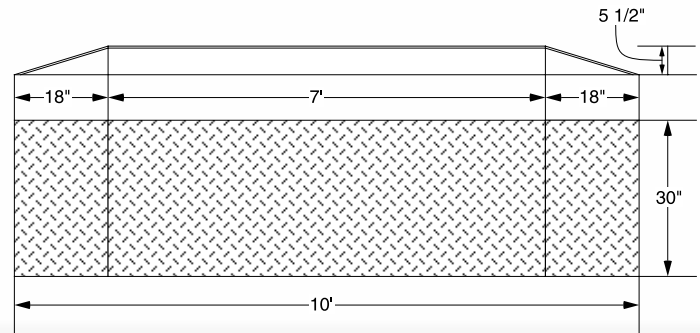
- Two (2) each platforms with 2 ramps each (total of 4 ramps).
- Axle capacity for tandem platforms: 60,000 lbs.
- Stainless steel, environmentally-protected load cells.
- Weighbridge size: 7 ft. L x 30 in. W x 5.5 in. H.
- Overall dimensions with ramps: 10 ft. L x 30 in. W x 5.5 in. H.

*Durable checkered steel deck construction*

60,000 lb x 50 lb graduations (for portable installations)  
- or -  
60,000 lb x 20 lb graduations (for permanent installations)

## AXLE LOAD SCALE SPECIFICATIONS

MODEL	NOMINAL CAPACITY	PLATFORM	SHIPPING WEIGHT
760PS	30 ton	Steel	1,765 lb
760PA	30 ton	Aluminum	820 lb



## Optional Equipment WEIGHT INDICATORS

Extend your 760 axle load scale's weighing capabilities with one of Cardinal Scale's versatile product line of digital weight indicators.



Battery-operated  
P150 printer

**STORM**

Cardinal's 190A Storm indicator features printer connectivity for label ticketing.



**225 NAVIGATOR**

Cardinal's 225 Navigator indicator is even more versatile and can weigh up to 4 axles simultaneously.

**ISO**  
REGISTERED 9001

Cardinal Scale reserves the right to improve, enhance or modify features and specifications without prior notice. All registered trademarks are the property of their respective owners.

**Cardinal**

Cardinal Scale Manufacturing Co.

203 E. Daugerty, Webb City, MO 64870 USA

Pb: 417-673-4631 or 800-441-4237 • Fax: 417-673-5001

www.CardinalScale.com

**SOLD BY:**