

# DUMP TRUCK SCALE SYSTEM

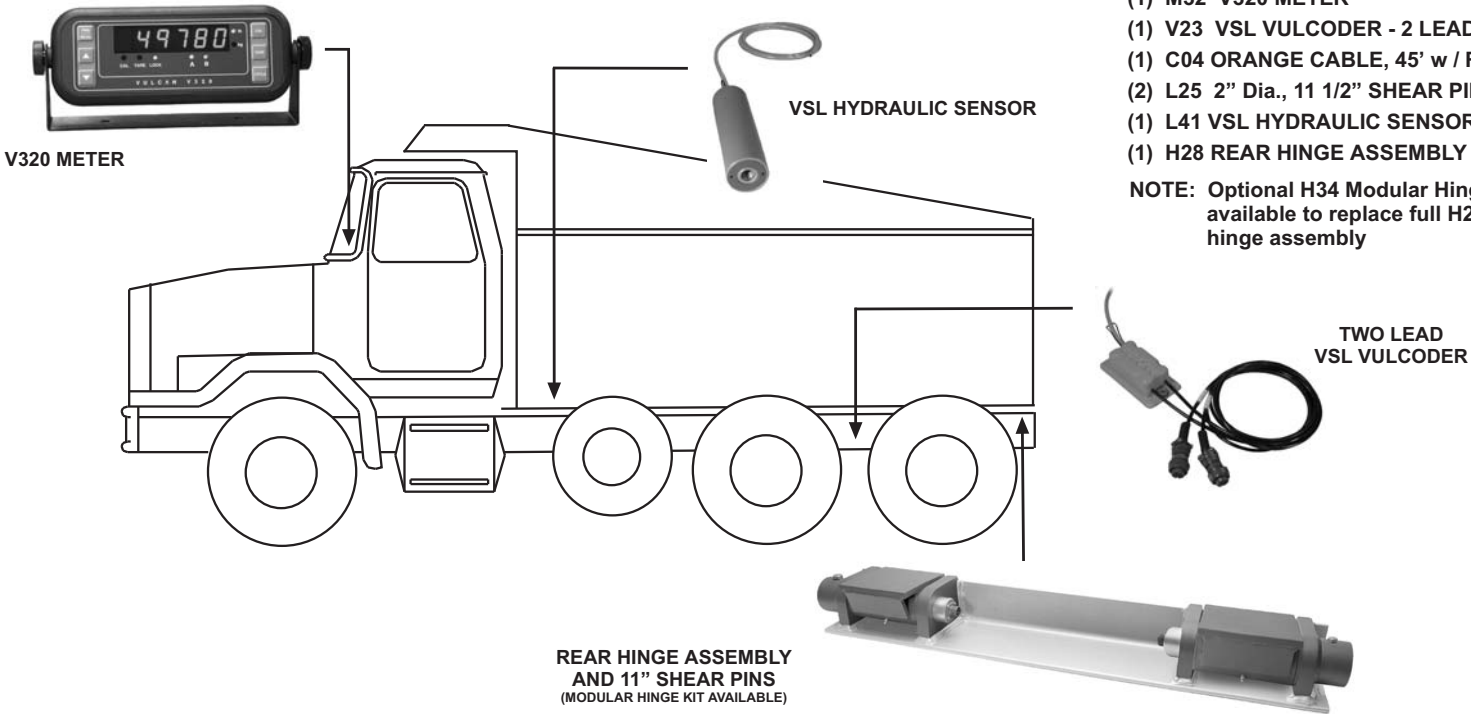
## HYDRAULIC SENSOR / SHEAR PIN SYSTEM

### G-513

#### SYSTEM INCLUDES:

- (1) M32 V320 METER
- (1) V23 VSL VULCODER - 2 LEAD
- (1) C04 ORANGE CABLE, 45' w / RECEPTACLE
- (2) L25 2" Dia., 11 1/2" SHEAR PINS
- (1) L41 VSL HYDRAULIC SENSOR
- (1) H28 REAR HINGE ASSEMBLY

NOTE: Optional H34 Modular Hinge Kit available to replace full H28 rear hinge assembly



The Vulcan shear pin dump truck scale system operates reliably in harsh environments and is the most accurate method to measure dump truck payload weights. The standard system includes a full rear hinge assembly and bracket to replace the truck's existing hinge and bracket. For this configuration an all-digital hydraulic pressure sensor obtains weight information by measuring hoist cylinder pressure, and durable Vulcan shear pin load cells measure weight at the rear hinge assembly. Vulcan electronics provide the operator payload weight information to optimize loading and operation.

REPRESENTED BY: