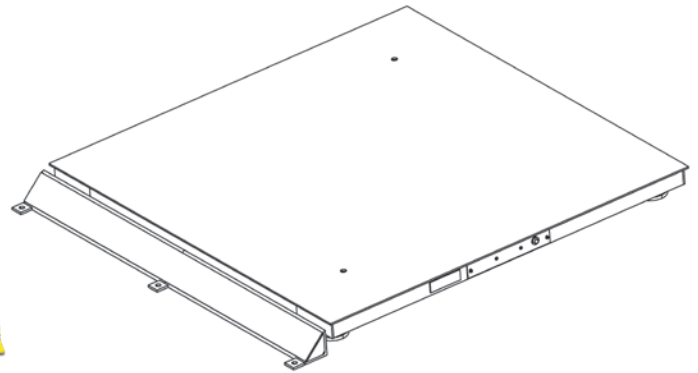
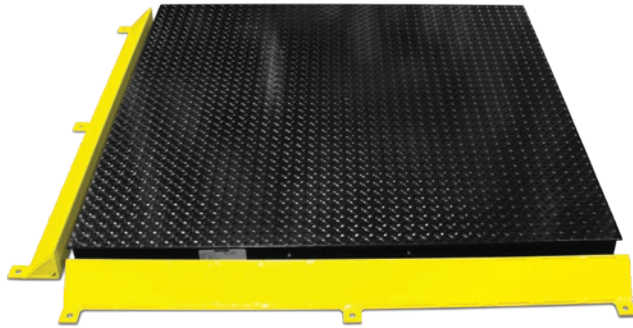


# Bumper Guards

Option A

FLOOR SCALES



**Anchor bolt size required:**  
1/2 in dia (Not included)

**Construction:**  
RoughDeck® HP and HP-H versions  
(Mild steel, painted safety yellow)  
RoughDeck SS/HE (304 stainless steel)

## Part Number/Price

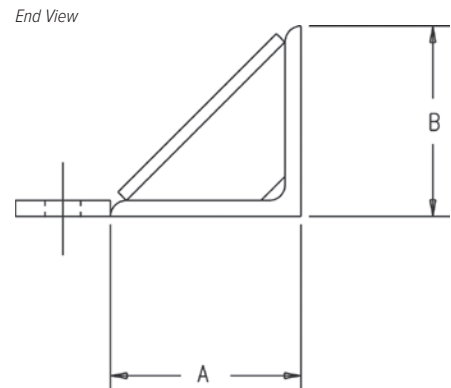
Length	RoughDeck HP	Price Each	RoughDeck SS/HE	Price Each	RoughDeck HP-H	Price Each
2.5 ft	<b>86815</b>	Consult	<b>86824</b>	Consult	<b>86833</b>	Consult
3.0 ft	<b>86816</b>	Consult	<b>86825</b>	Consult	<b>86834</b>	Consult
4.0 ft	<b>86817</b>	Consult	<b>86826</b>	Consult	<b>86835</b>	Consult
5.0 ft	<b>86818</b>	Consult	<b>86827</b>	Consult	<b>86836</b>	Consult
6.0 ft	<b>86819</b>	Consult	<b>86828</b>	Consult	<b>86837</b>	Consult
7.0 ft	<b>86820</b>	Consult	<b>86829</b>	Consult	<b>86838</b>	Consult
8.0 ft	<b>86821</b>	Consult	<b>86830</b>	Consult	<b>86839</b>	Consult
9.0 ft	<b>86822</b>	Consult	<b>86831</b>	Consult	<b>86840</b>	Consult
10.0 ft	<b>86823</b>	Consult	<b>86832</b>	Consult	<b>86841</b>	Consult

## Accessories

Part #	Description	Price
<b>18777</b>	Floor anchor plates, mild steel (set of two), RoughDeck HP	Consult
<b>18778</b>	Floor anchor plates, stainless steel (set of two), RoughDeck SS/HE	Consult
<b>40387</b>	Floor anchor plates, mild steel (set of two), RoughDeck HP-H 20,000 lb	Consult
<b>40388</b>	Floor anchor plates, mild steel (set of two), RoughDeck HP-H 30,000 lb	Consult

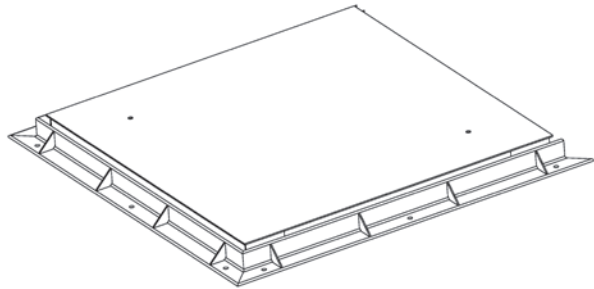
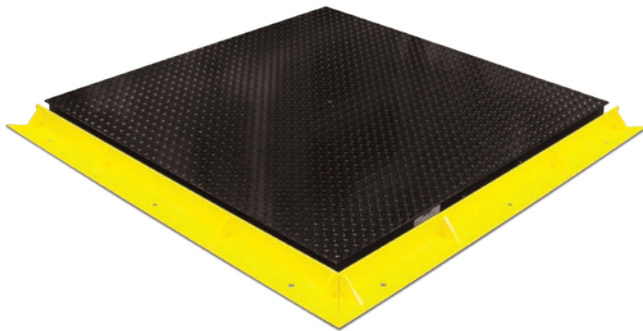
Dimensions		
Model	A	B
RoughDeck HP	3 in	3 in
RoughDeck SS/HE	3 in	3 in
RoughDeck HP-H	4 in	4 in

Note: 1 in=25.4 mm



# Bumper Guards

Option B



Note: If you plan to surround scale on all four sides with bumper guards, option B, please contact factory as a special bumper guard must be made to accommodate the home run cable exit.

**Anchor bolt size required:**  
1/2 in dia (Not Included)

**Construction:**  
RoughDeck® HP and HP-H versions  
(Mild steel, painted safety yellow)  
RoughDeck SS/HE (304 stainless steel)

FLOOR SCALES

### Part Number/Price

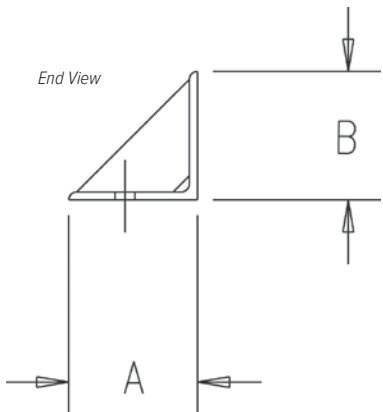
Length	RoughDeck HP	Price Each	RoughDeck SS/HE	Price Each	RoughDeck HP-H	Price Each
2.5 ft	<b>86843</b>	Consult	<b>86852</b>	Consult	<b>86861</b>	Consult
3.0 ft	<b>86844</b>	Consult	<b>86853</b>	Consult	<b>86862</b>	Consult
4.0 ft	<b>86845</b>	Consult	<b>86854</b>	Consult	<b>86863</b>	Consult
5.0 ft	<b>86846</b>	Consult	<b>86855</b>	Consult	<b>86864</b>	Consult
6.0 ft	<b>86847</b>	Consult	<b>86856</b>	Consult	<b>86865</b>	Consult
7.0 ft	<b>86848</b>	Consult	<b>86857</b>	Consult	<b>86866</b>	Consult
8.0 ft	<b>86849</b>	Consult	<b>86858</b>	Consult	<b>86867</b>	Consult
9.0 ft	<b>86850</b>	Consult	<b>86859</b>	Consult	<b>86868</b>	Consult
10.0 ft	<b>86851</b>	Consult	<b>86860</b>	Consult	<b>86869</b>	Consult

### Accessories

Part #	Description	Price
<b>18777</b>	Floor anchor plates, mild steel (set of two), RoughDeck HP	Consult
<b>18778</b>	Floor anchor plates, stainless steel (set of two), RoughDeck SS/HE	Consult
<b>40387</b>	Floor anchor plates, mild steel (set of two), RoughDeck HP-H 20,000 lb	Consult
<b>40388</b>	Floor anchor plates, mild steel (set of two), RoughDeck HP-H 30,000 lb	Consult

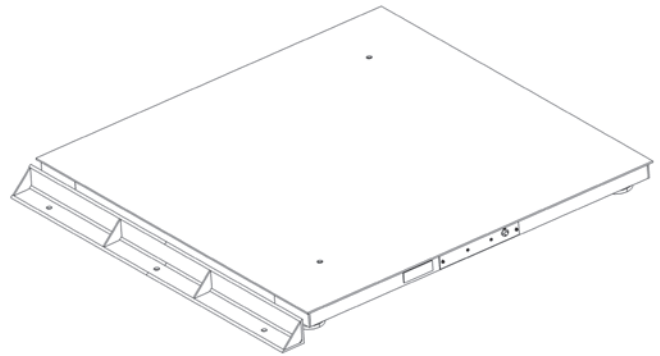
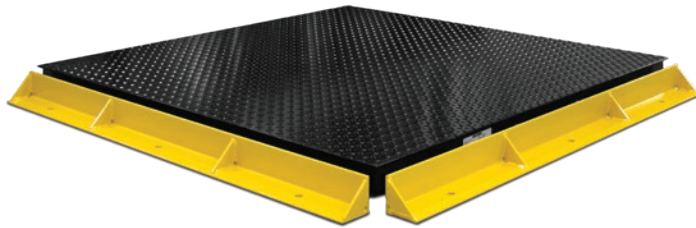
Dimensions		
Model	A	B
RoughDeck HP	3 in	3 in
RoughDeck SS/HE	3 in	3 in
RoughDeck HP-H	4 in	4 in

Note: 1 in=25.4 mm



# Bumper Guards

Option C



**Anchor bolt size required:**  
1/2 in dia (not included)

**Construction:**  
RoughDeck® HP and HP-H versions  
(Mild steel, painted safety yellow)  
RoughDeck SS/HE  
(304 stainless steel)

FLOOR SCALES

## Part Number/Price

Length	RoughDeck HP	Price Each	RoughDeck SS/HE	Price Each	RoughDeck HP-H	Price Each
2.5 ft	<b>86870</b>	Consult	<b>86879</b>	Consult	<b>86888</b>	Consult
3.0 ft	<b>86871</b>	Consult	<b>86880</b>	Consult	<b>86889</b>	Consult
4.0 ft	<b>86872</b>	Consult	<b>86881</b>	Consult	<b>86890</b>	Consult
5.0 ft	<b>86873</b>	Consult	<b>86882</b>	Consult	<b>86891</b>	Consult
6.0 ft	<b>86874</b>	Consult	<b>86883</b>	Consult	<b>86892</b>	Consult
7.0 ft	<b>86875</b>	Consult	<b>86884</b>	Consult	<b>86893</b>	Consult
8.0 ft	<b>86876</b>	Consult	<b>86885</b>	Consult	<b>86894</b>	Consult
9.0 ft	<b>86877</b>	Consult	<b>86886</b>	Consult	<b>86895</b>	Consult
10.0 ft	<b>86878</b>	Consult	<b>86887</b>	Consult	<b>86896</b>	Consult

## Accessories

Part #	Description	Price
<b>18777</b>	Floor anchor plates, mild steel (set of two), RoughDeck HP	Consult
<b>18778</b>	Floor anchor plates, stainless steel (set of two), RoughDeck SS/HE	Consult
<b>40387</b>	Floor anchor plates, mild steel (set of two), RoughDeck HP-H 20,000 lb	Consult
<b>40388</b>	Floor anchor plates, mild steel (set of two), RoughDeck HP-H 30,000 lb	Consult

Dimensions		
Model	A	B
RoughDeck HP	3 in	3 in
RoughDeck SS/HE	3 in	3 in
RoughDeck HP-H	4 in	4 in

Note: 1 in=25.4 mm

